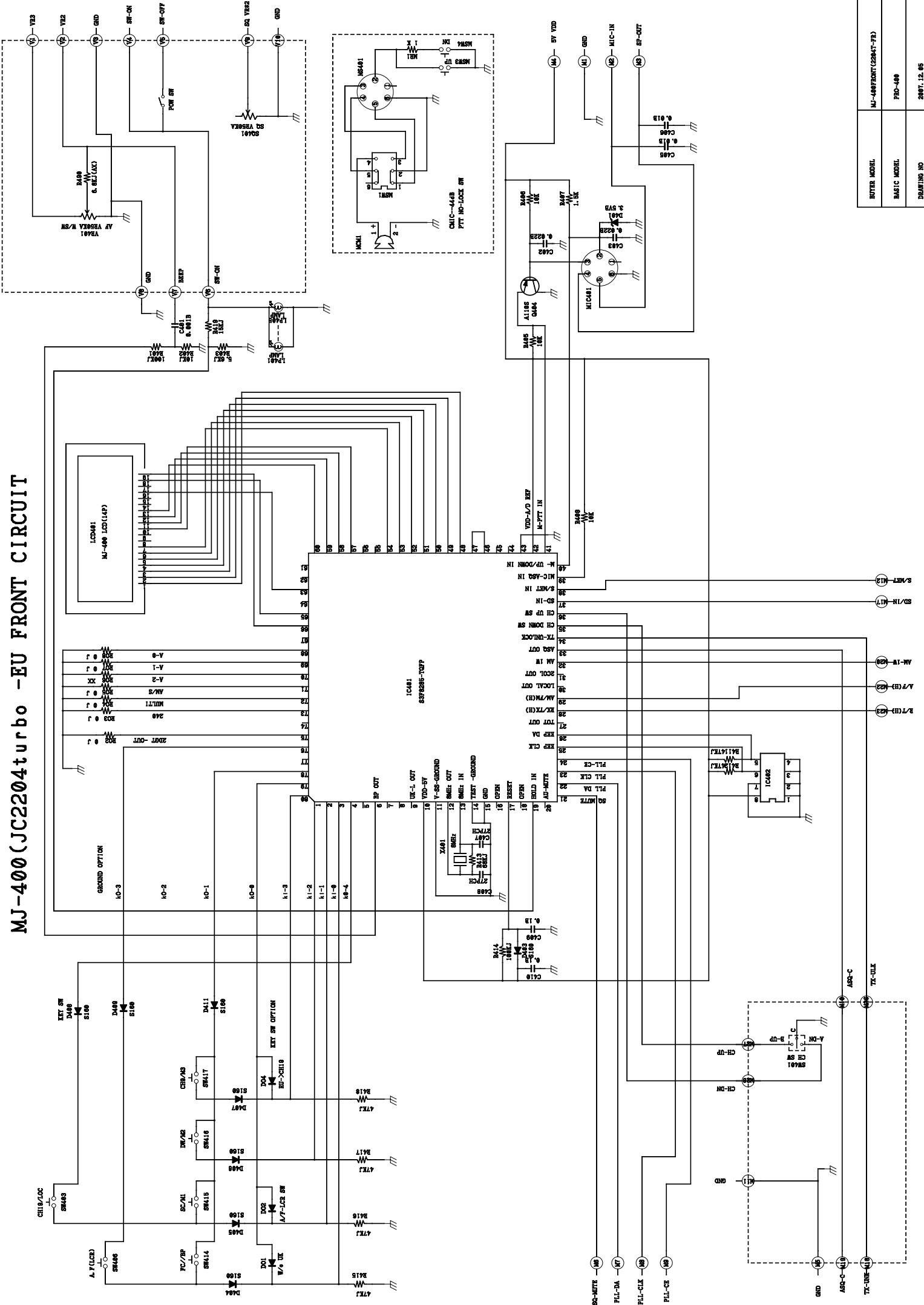
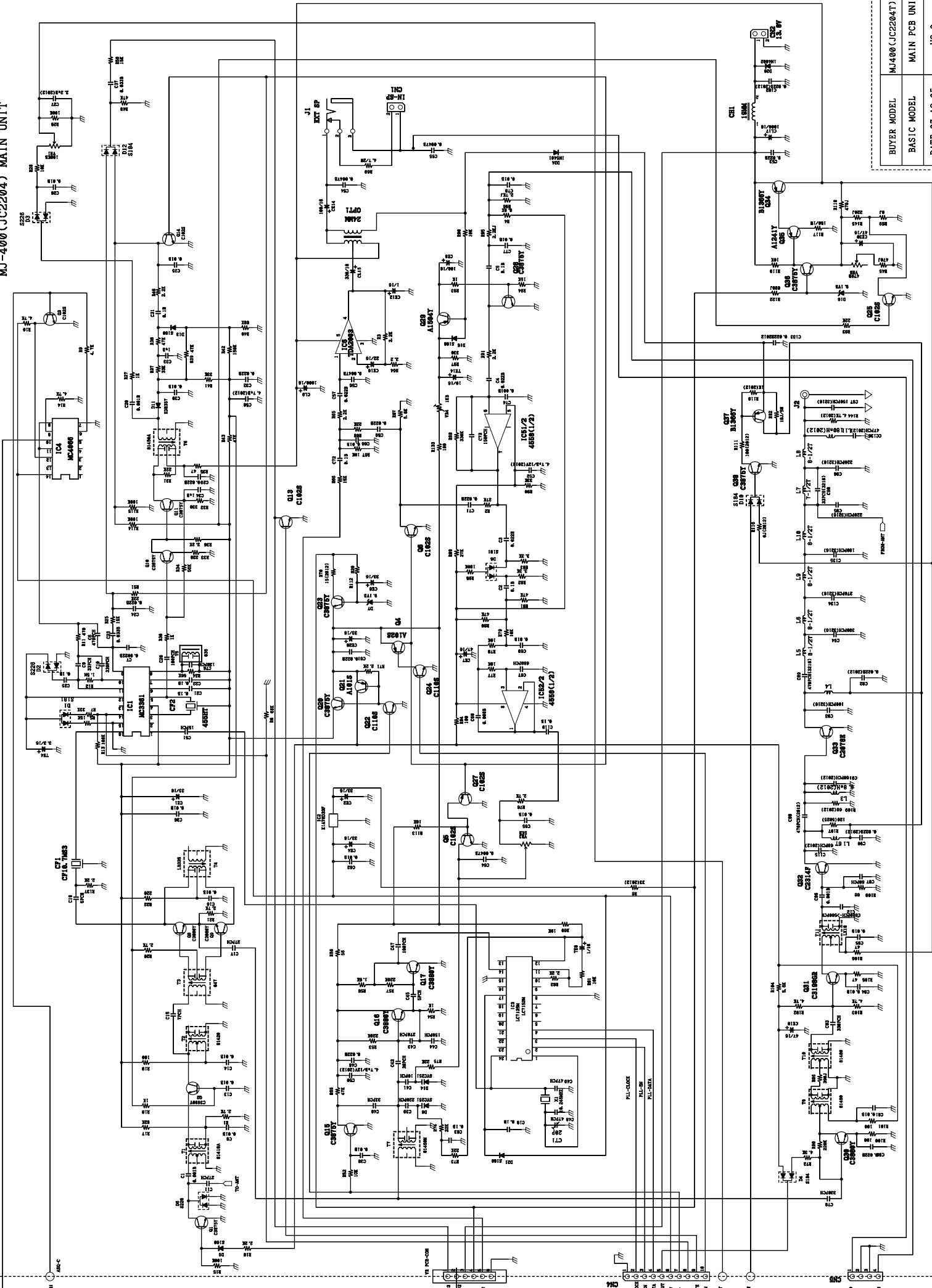


# MJ-400 (JC2204turbo -EU FRONT CIRCUIT



ENTER MODEL	MJ-400FRONT(JC2204-T2)
BASIC MODEL	PSD-400
DRAWING NO	2007.12.05

MJ-400 (JC2204) MAIN UNIT



BUYER MODEL	MJ400 (JC2204T) MA-EU
BASIC MODEL	MAIN PCB UNIT
DATE	07.12.05
	V2.0