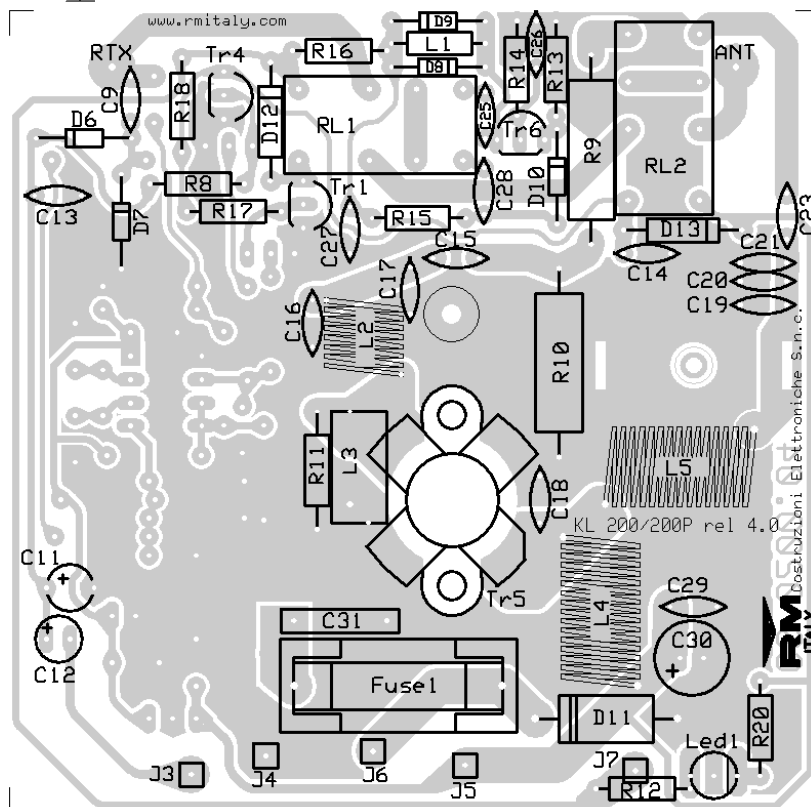
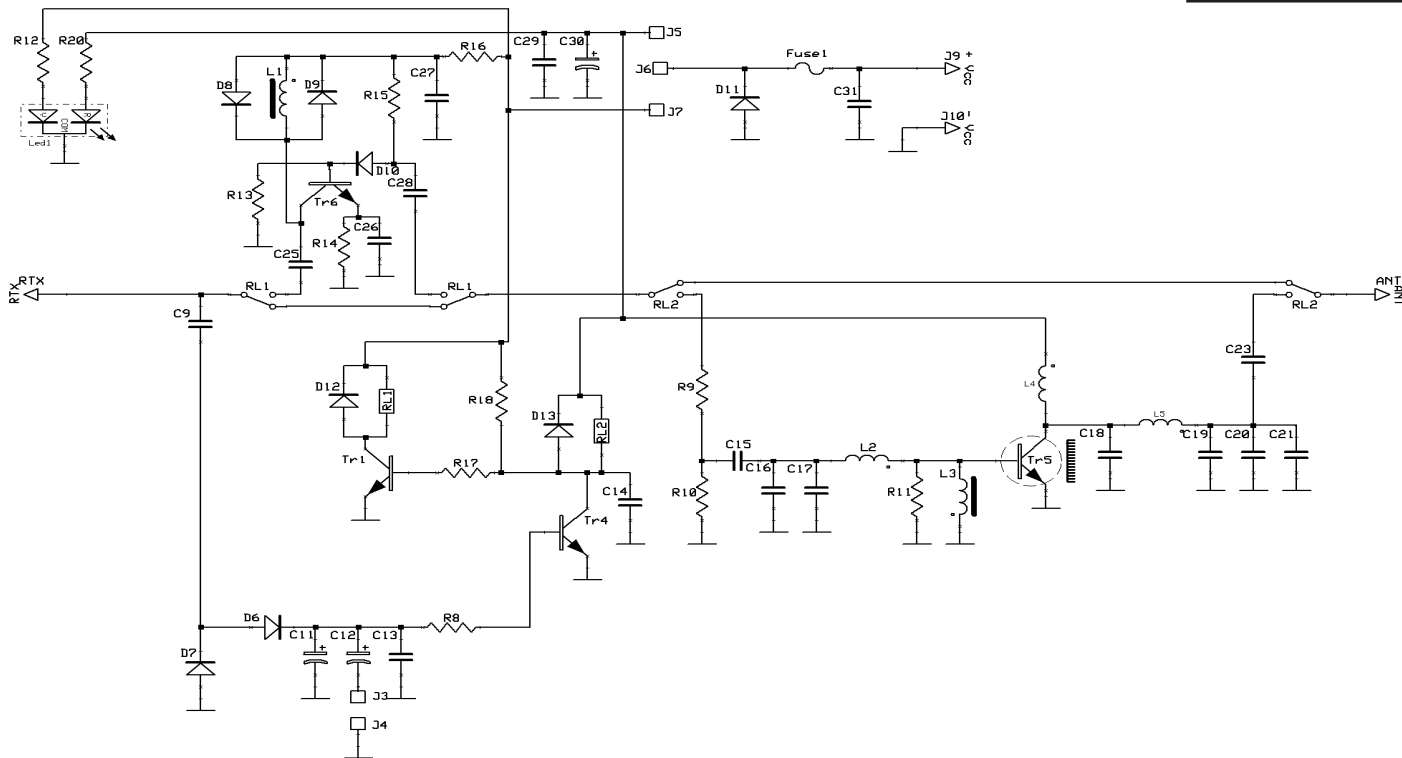


KL 200 P linear amplifier

Schematic diagram

Version 4.10



List of components

C ₉	= 8,2 pF	50 V	NP0	L ₄	= 12 turns ϕ 6 mm wire ϕ 1 mm	ANRA 455
C ₁₁	= 4,7 μ F	16 V		L ₅	= 3 turns ϕ 7,5 mm wire ϕ 1,2 mm	ANRA 289/3
C ₁₂	= 33 μ F	16 V		R ₁₁	= Relè 12 V 3022	
C ₁₃	= 10 nF	50 V		R ₁₂	= Relè 12 V 3022	
C ₁₄	= 10 nF	50 V		Fuse	= 12 A	
C ₁₅	= 100 pF	50 V	NP0			
C ₁₆	= 220 pF	50 V	N750			
C ₁₇	= 270 pF	50 V	N750			
C ₁₈	= 120 pF	500 V	NP0			
C ₁₉	= 220 pF	500 V	N750			
C ₂₀	= 270 pF	500 V	N750			
C ₂₁	= 120 pF	500 V	NP0			
C ₂₃	= 1,0 nF	500 V				
C ₂₅	= 150 pF	50 V	NP0			
C ₂₆	= 470 pF	50 V	N750			
C ₂₇	= 10 nF	50 V				
C ₂₈	= 56 pF	50 V	NP0			
C ₂₉	= 100 nF	50 V				
C ₃₀	= 47 μ F	16 V				
C ₃₁	= 470 nF	100 V	Polyester			
R ₈	= 2,2 K Ω	$\frac{1}{4}$ W				
R ₉	= 22 Ω	2W				
R ₁₀	= 120 Ω	2W				
R ₁₁	= 10 Ω	$\frac{1}{2}$ W				
R ₁₂	= 1,0 K Ω	$\frac{1}{4}$ W				
R ₁₃	= 2,2 K Ω	$\frac{1}{4}$ W				
R ₁₄	= 100 Ω	$\frac{1}{4}$ W				
R ₁₅	= 12 K Ω	$\frac{1}{4}$ W				
R ₁₆	= 100 Ω	$\frac{1}{4}$ W				
R ₁₇	= 12 K Ω	$\frac{1}{4}$ W				
R ₁₈	= 10 K Ω	$\frac{1}{4}$ W				
R ₂₀	= 1,0 K Ω	$\frac{1}{4}$ W				
D ₆	= 1N4148					
D ₇	= 1N4148					
D ₈	= 1N4148					
D ₉	= 1N4148					
D ₁₀	= 1N4148					
D ₁₁	= 1N5400					
D ₁₂	= 1N4007					
D ₁₃	= 1N4007					
Led ₁	= Led bicolore					
TR ₁	= BC 547					
TR ₄	= BC 547					
TR ₅	= SD 1446					
TR ₆	= BF 199					
L ₁	= 10 μ H					
L ₂	= 3 turns ϕ 8 mm wire ϕ 0,8 mm		ANRA 289			
L ₃	= VK200					