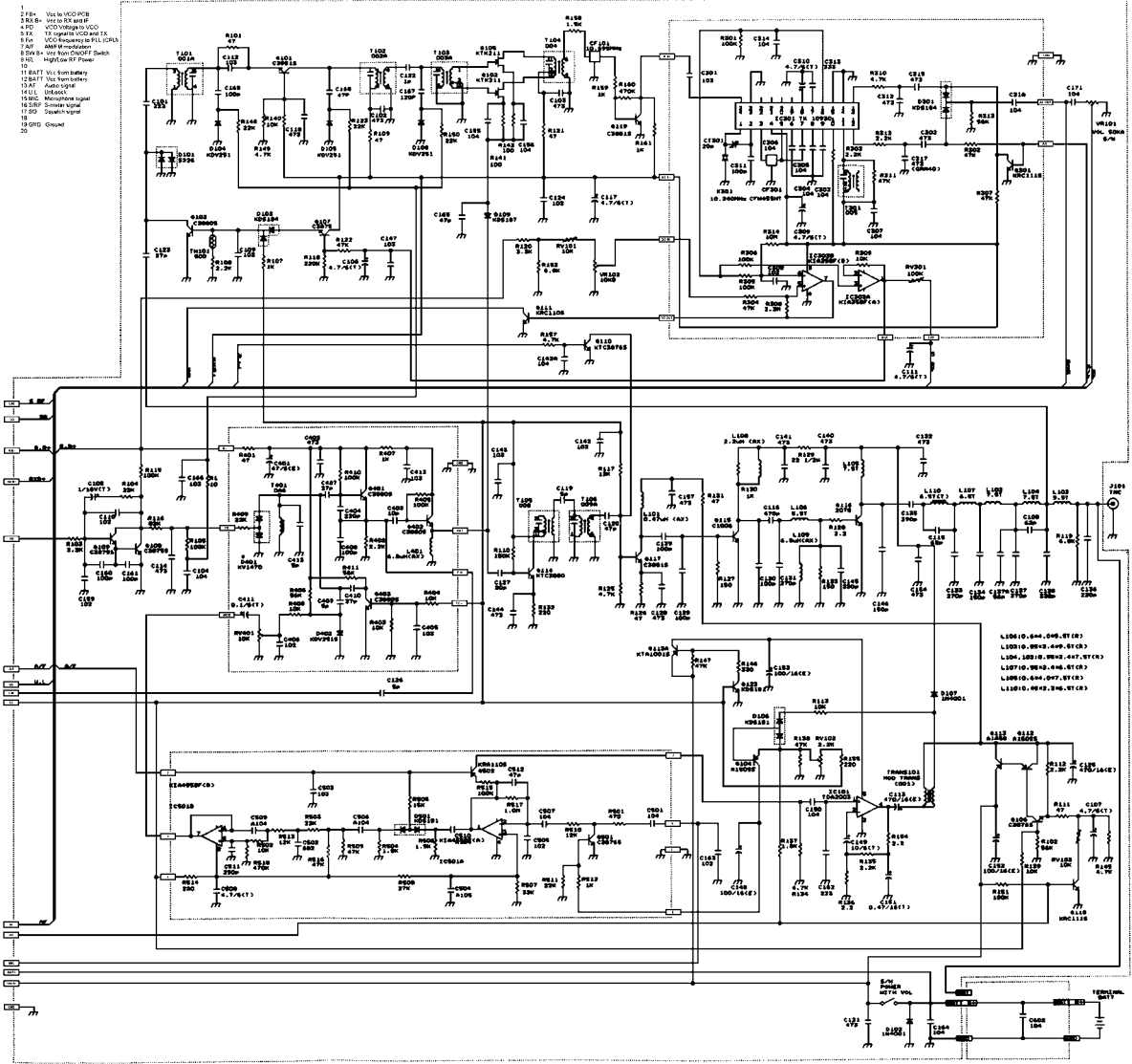
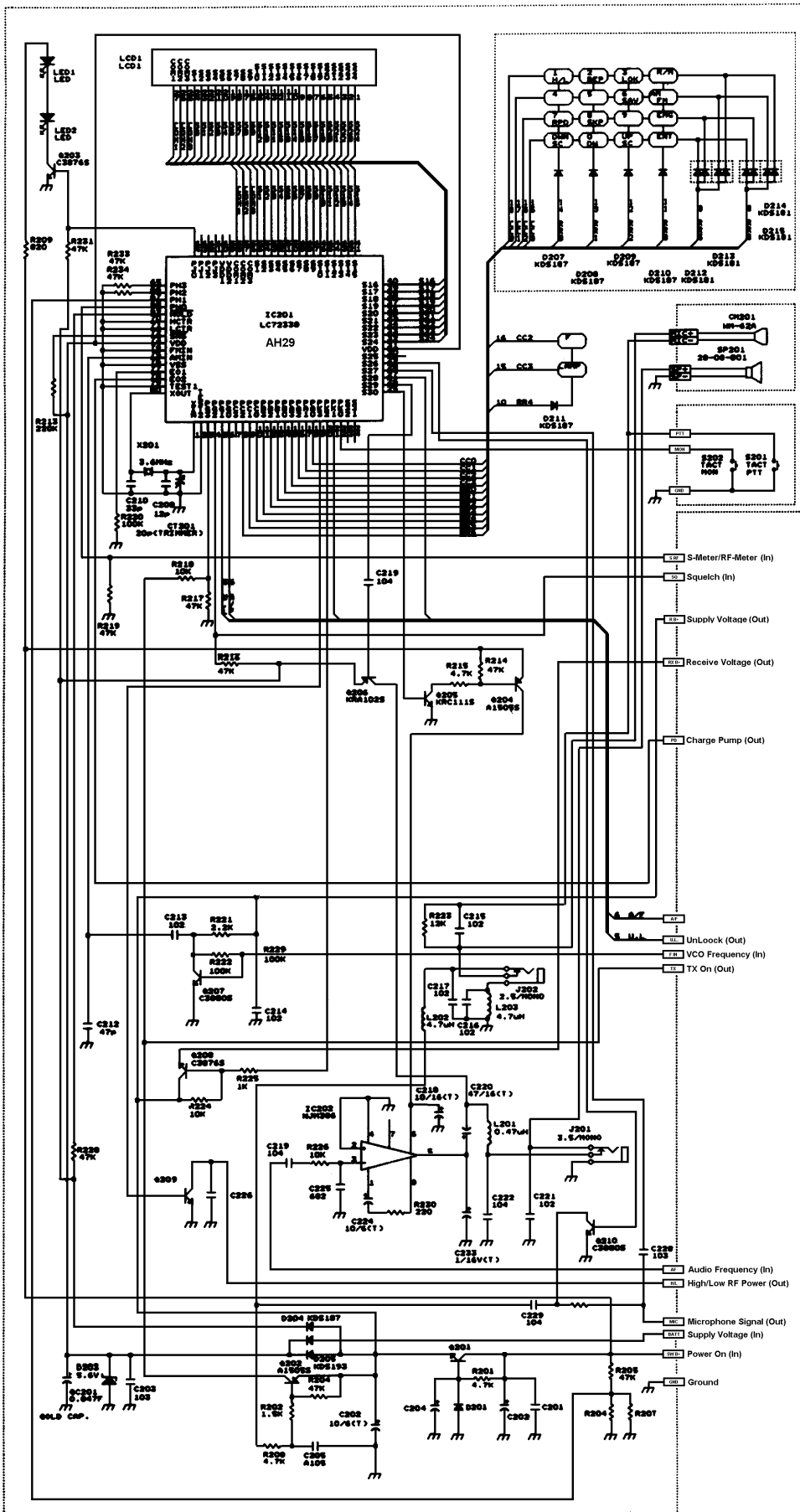
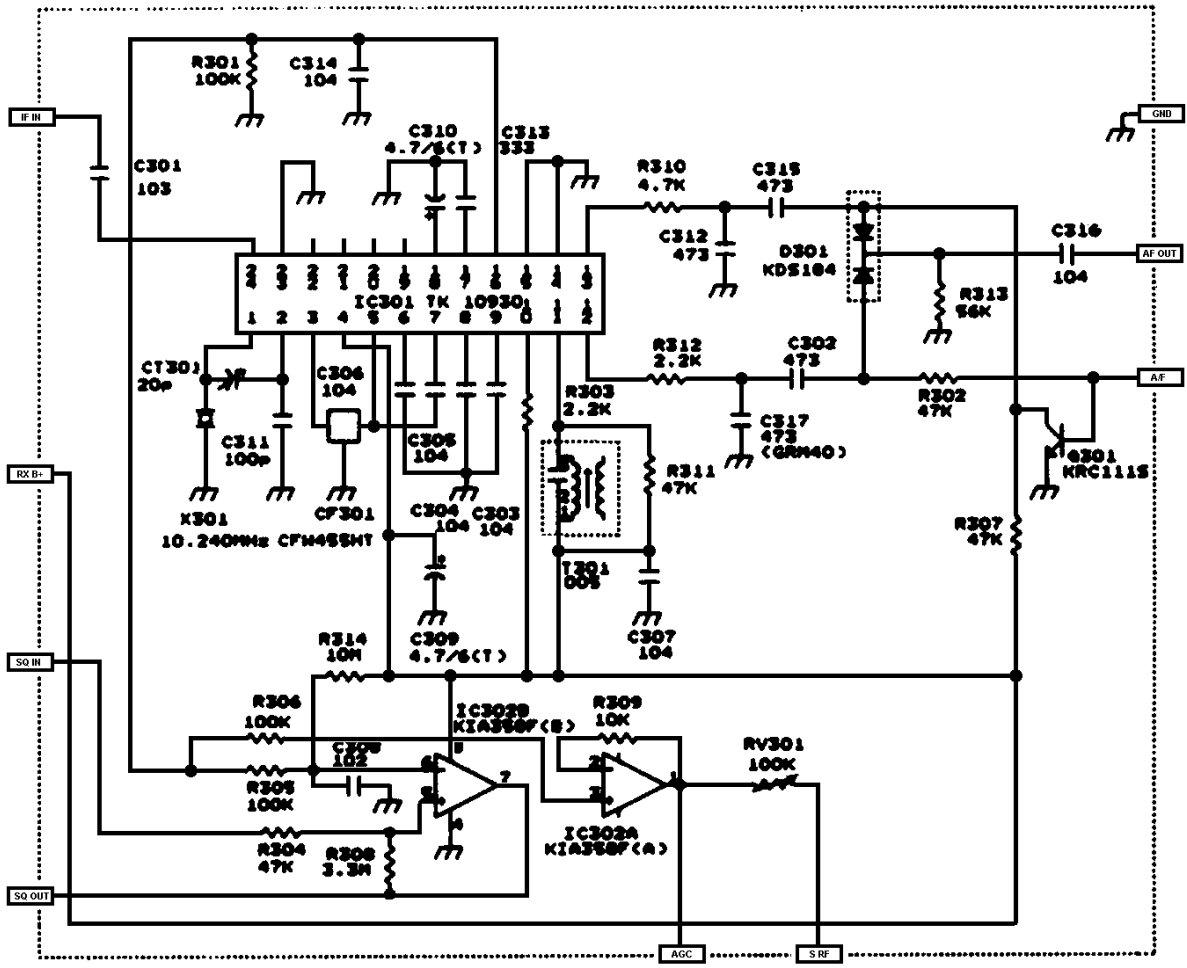
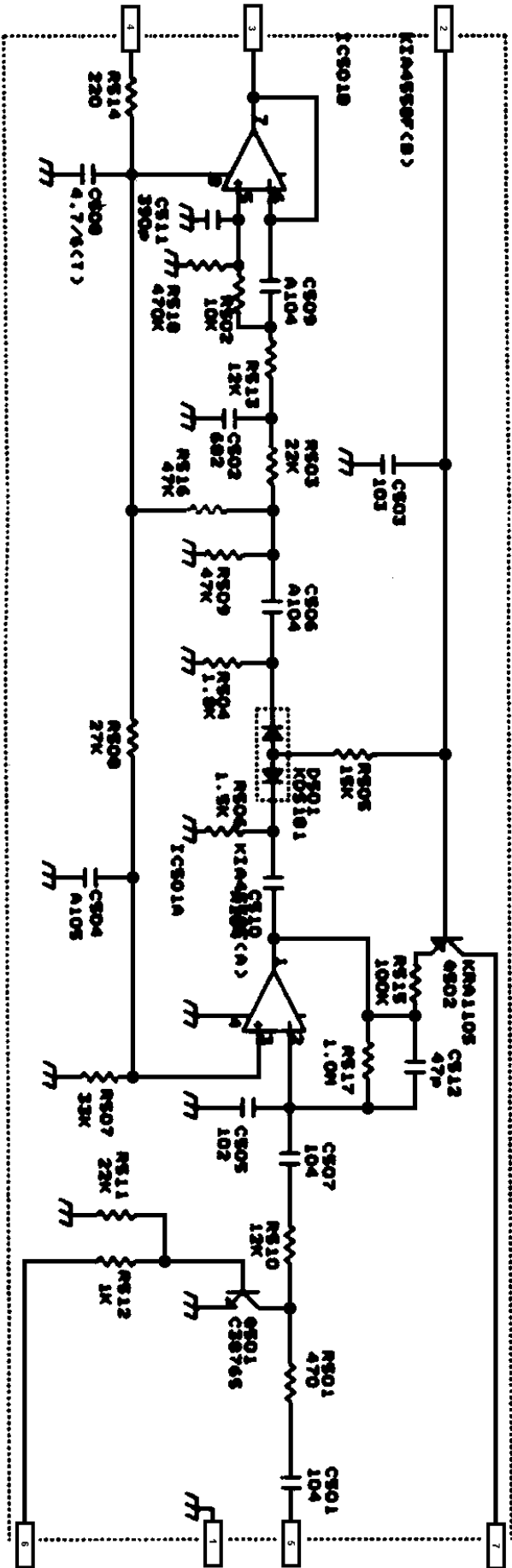


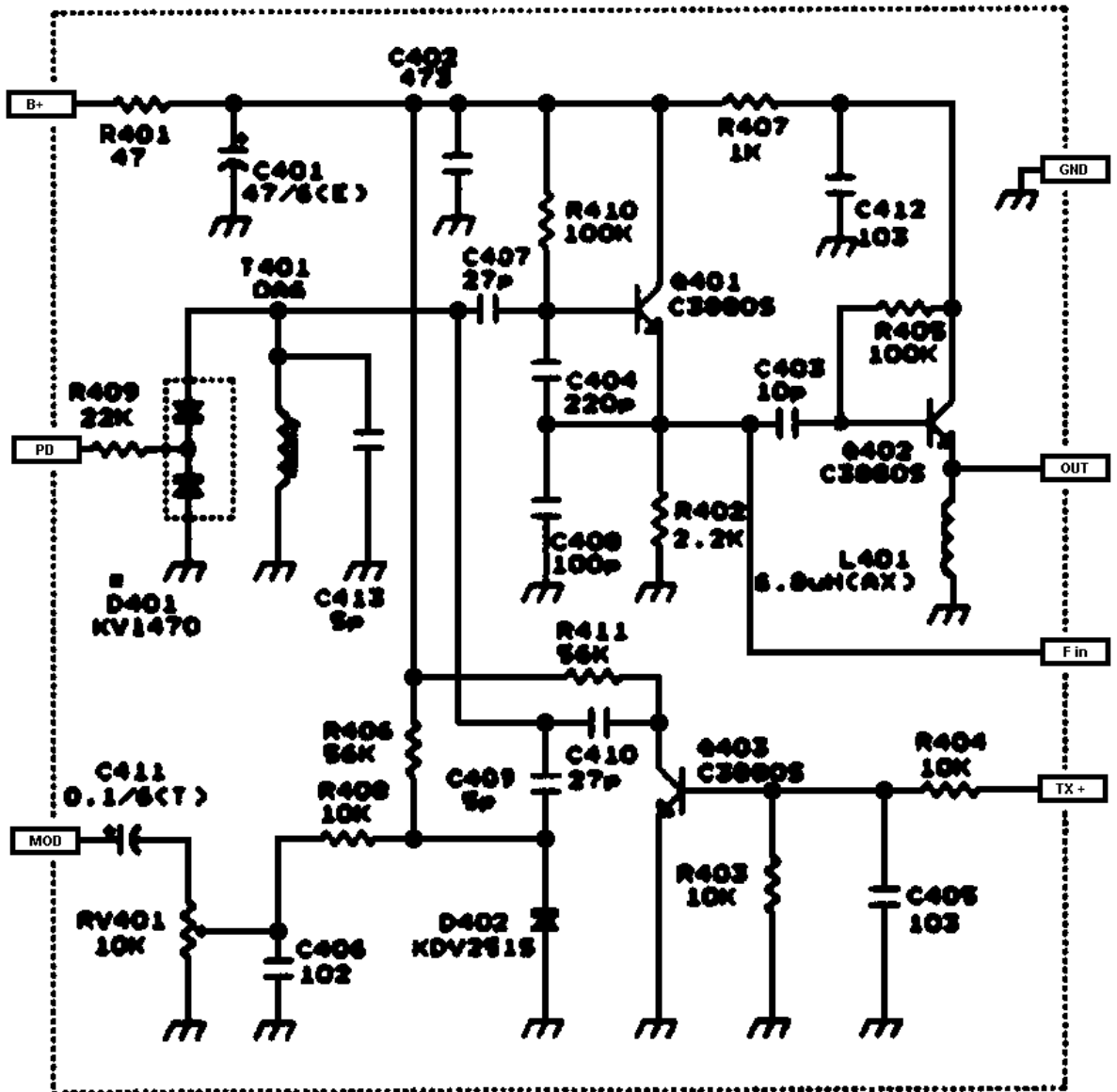
- 1 File: VISA-VISOR.PCB
- 2 File: VISA-VISOR.PCB
- 3 File: VISA-VISOR.PCB
- 4 File: VISA-VISOR.PCB
- 5 File: VISA-VISOR.PCB
- 6 File: VISA-VISOR.PCB
- 7 File: VISA-VISOR.PCB
- 8 File: VISA-VISOR.PCB
- 9 File: VISA-VISOR.PCB
- 10 File: VISA-VISOR.PCB
- 11 File: VISA-VISOR.PCB
- 12 File: VISA-VISOR.PCB
- 13 File: VISA-VISOR.PCB
- 14 File: VISA-VISOR.PCB
- 15 File: VISA-VISOR.PCB
- 16 File: VISA-VISOR.PCB
- 17 File: VISA-VISOR.PCB
- 18 File: VISA-VISOR.PCB
- 19 File: VISA-VISOR.PCB
- 20 File: VISA-VISOR.PCB

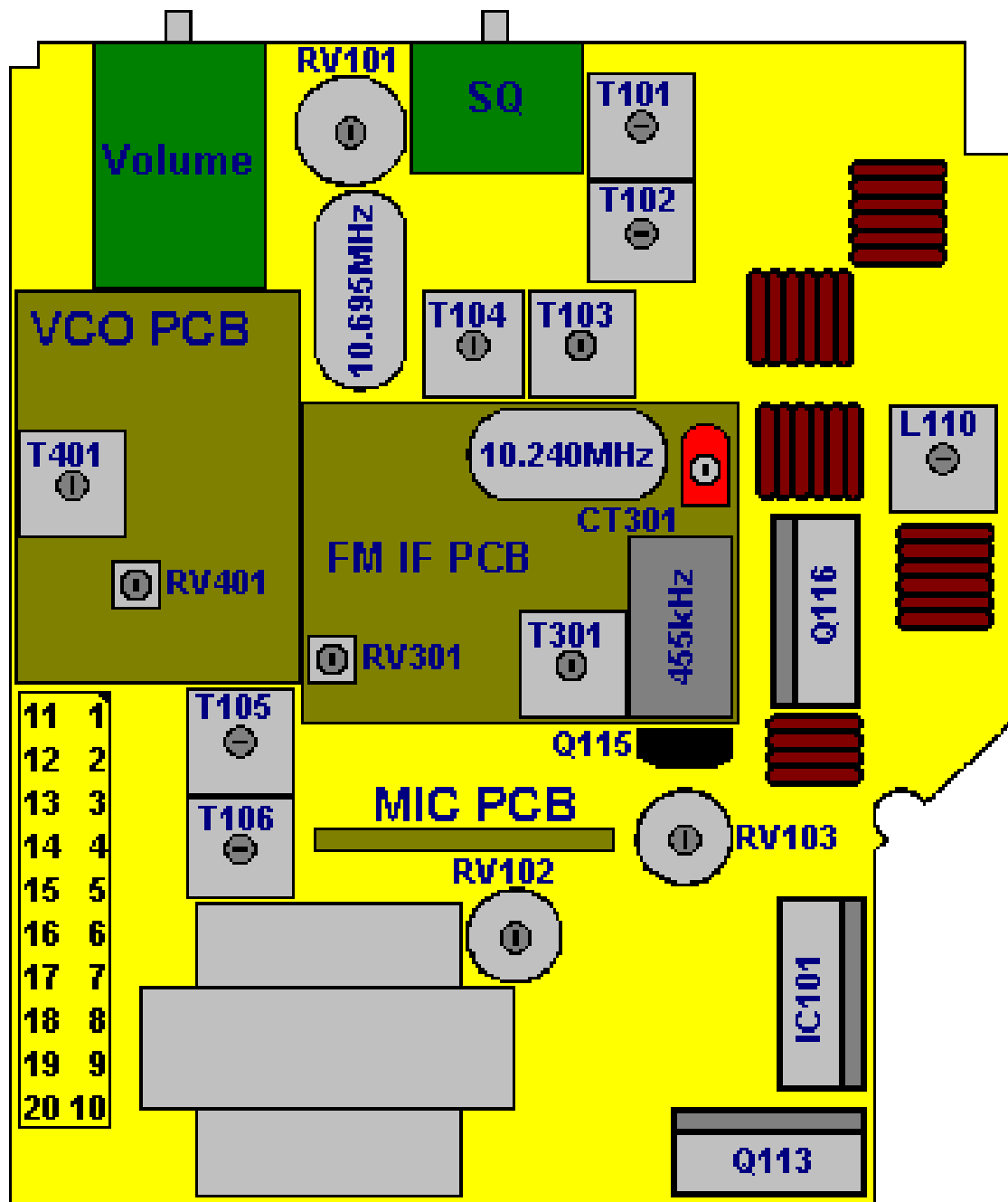


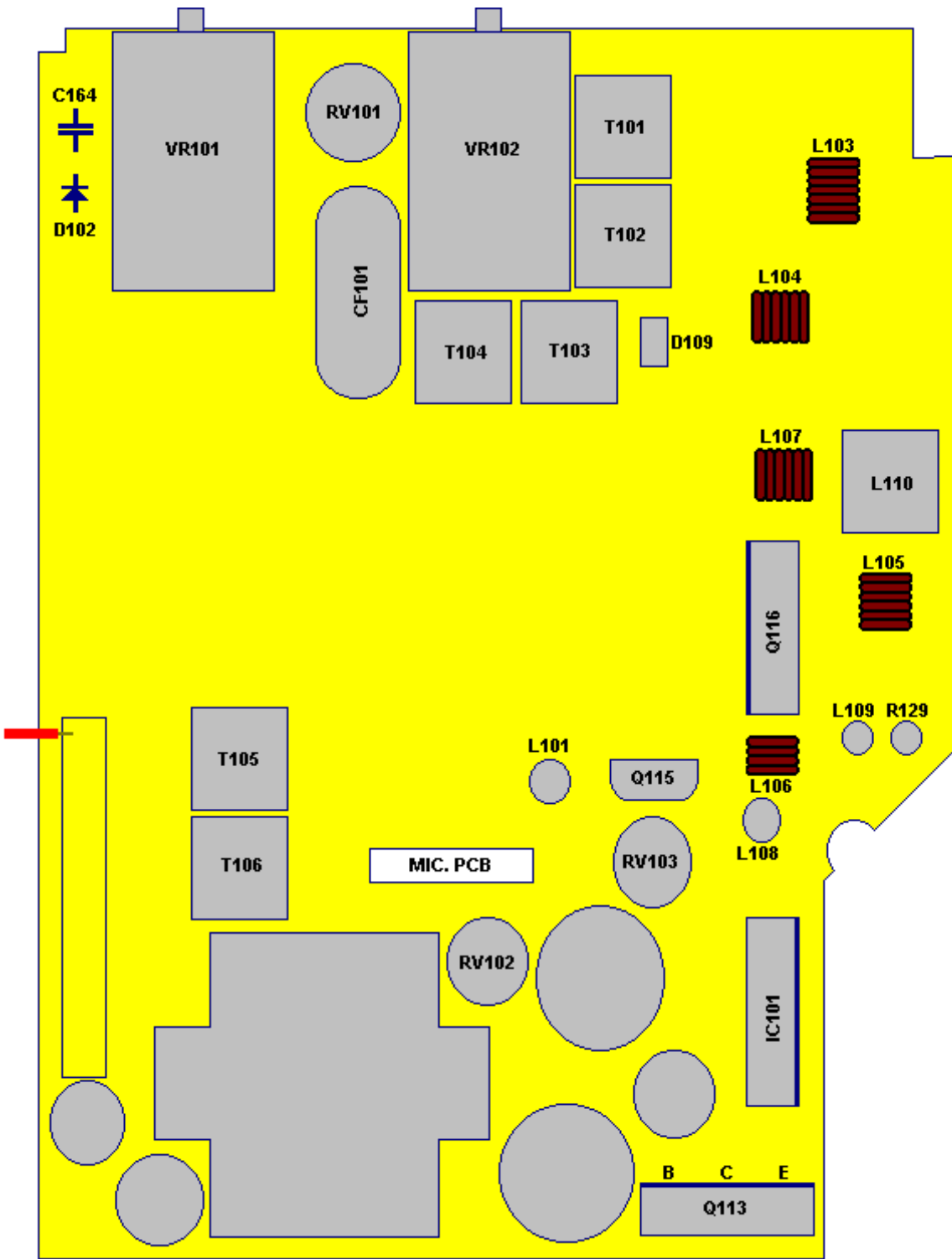


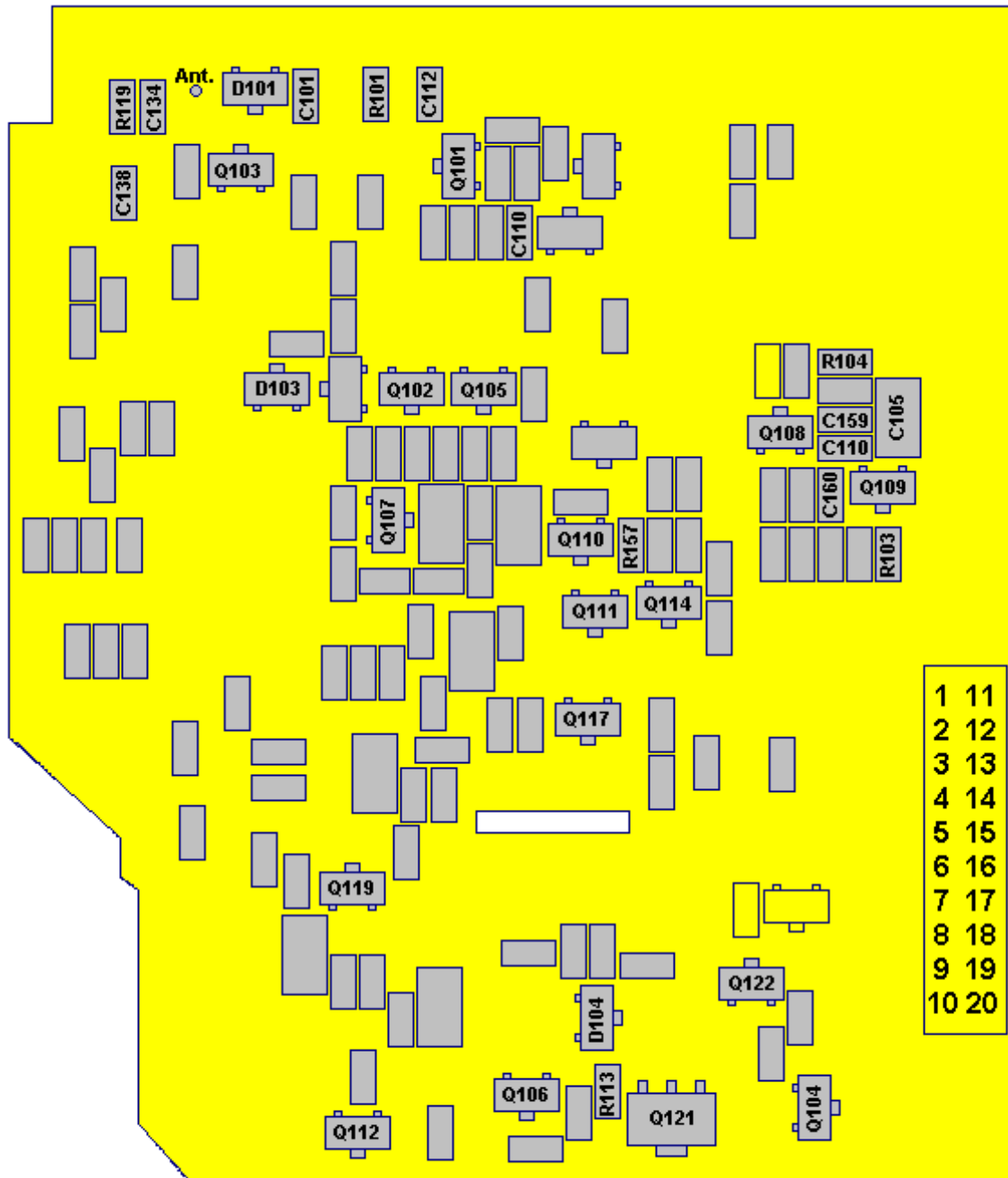


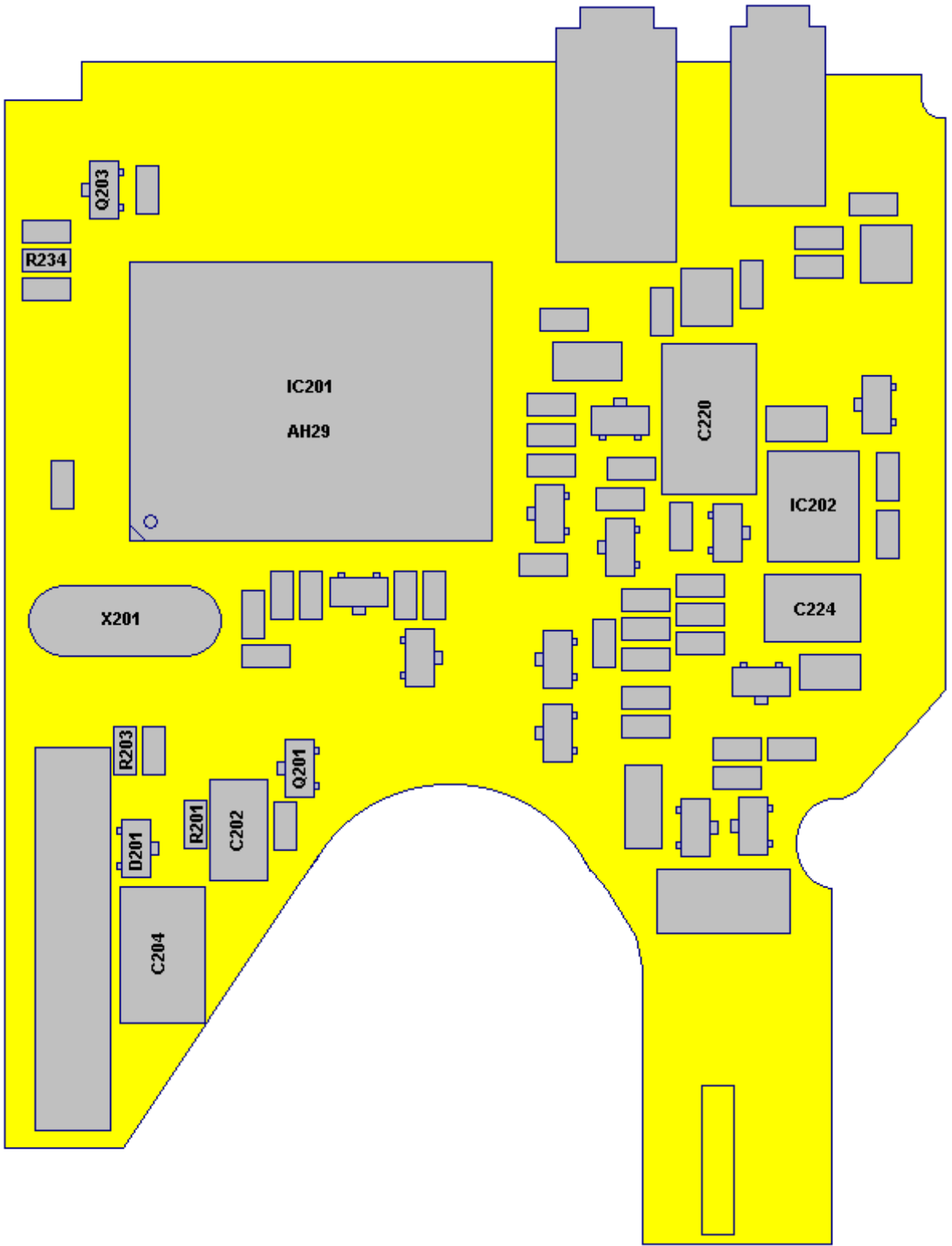


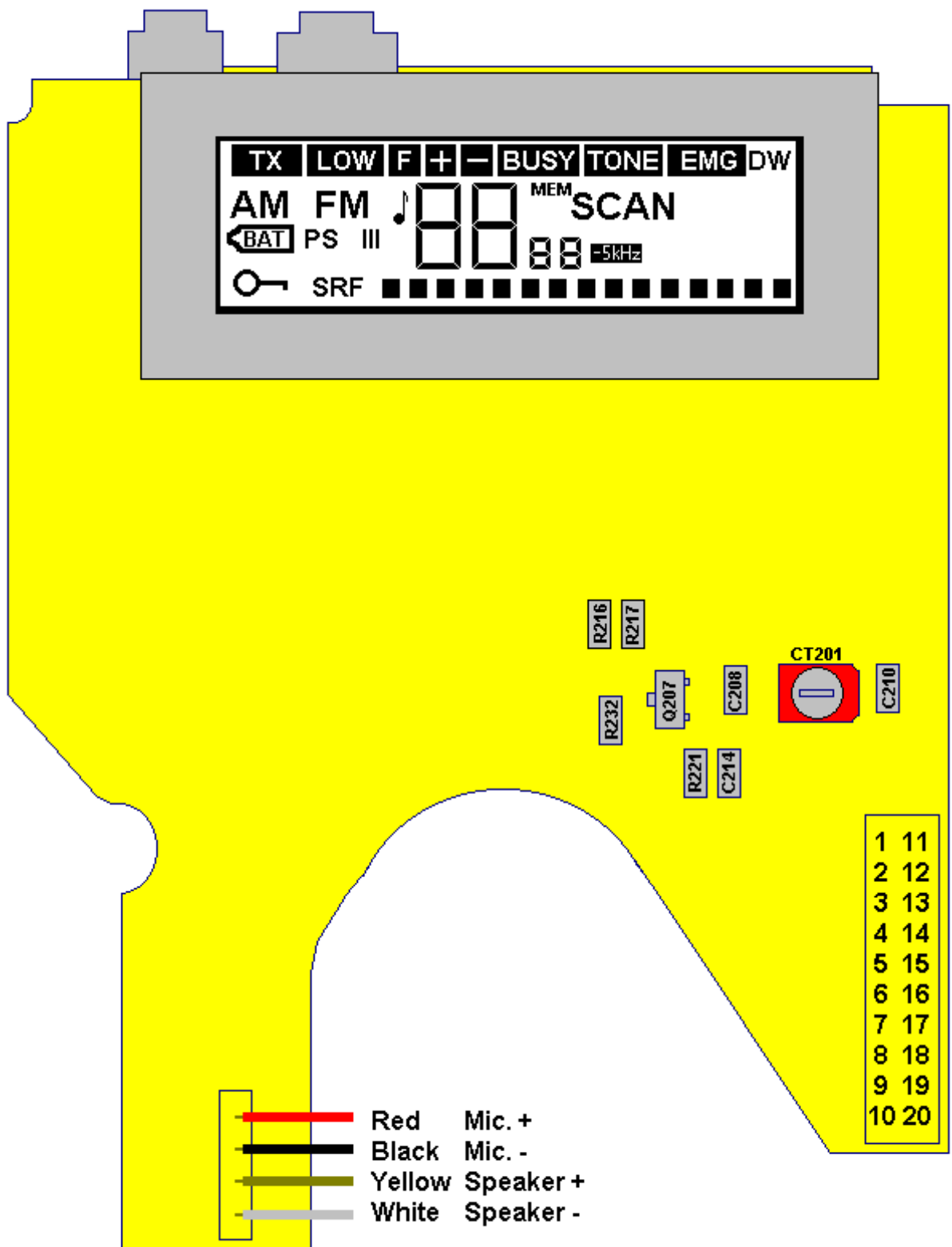


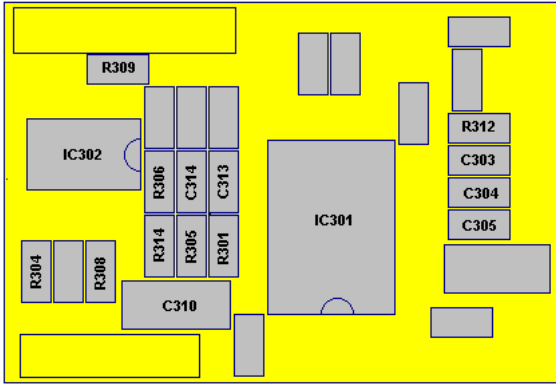
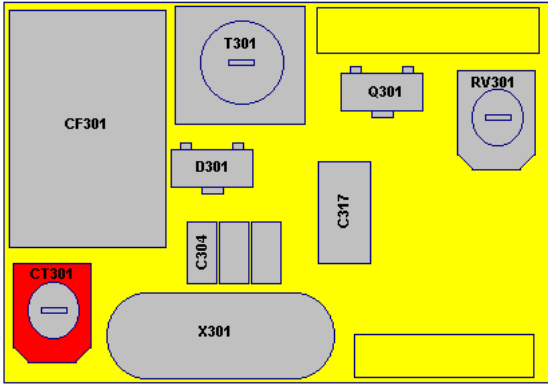




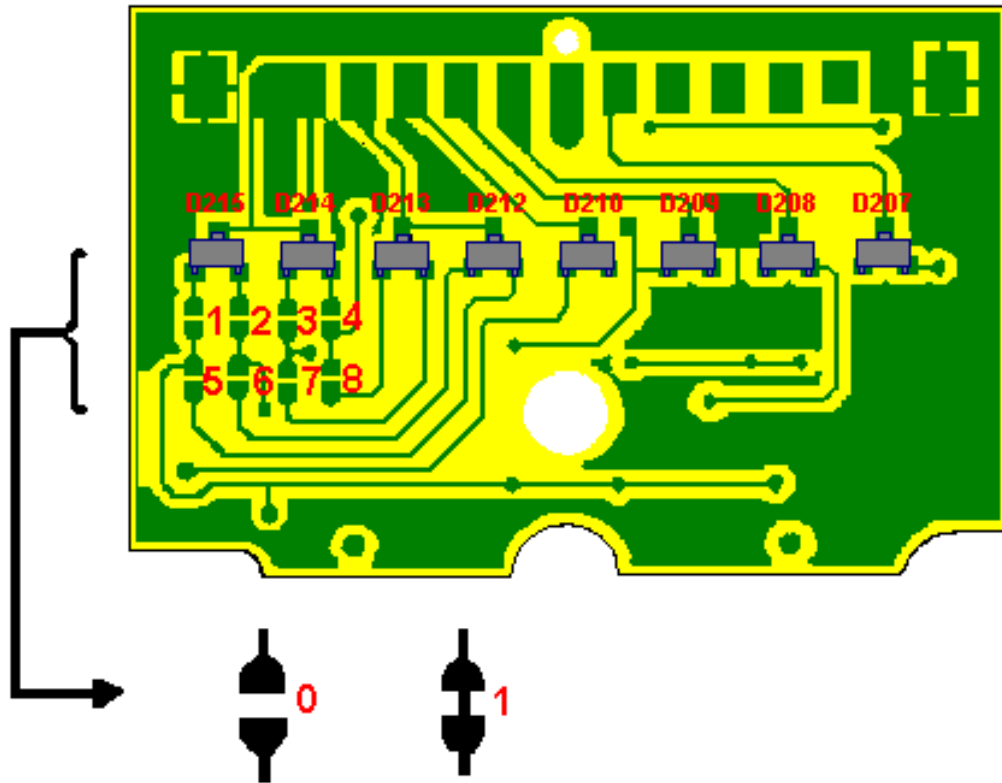


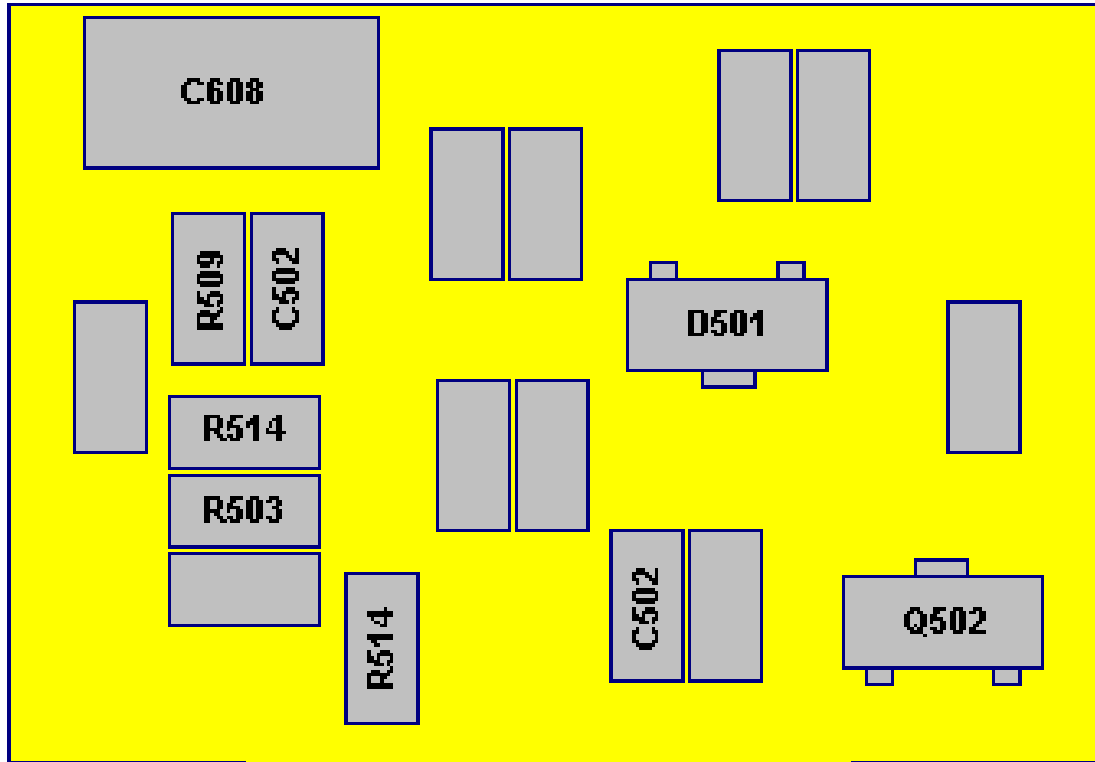




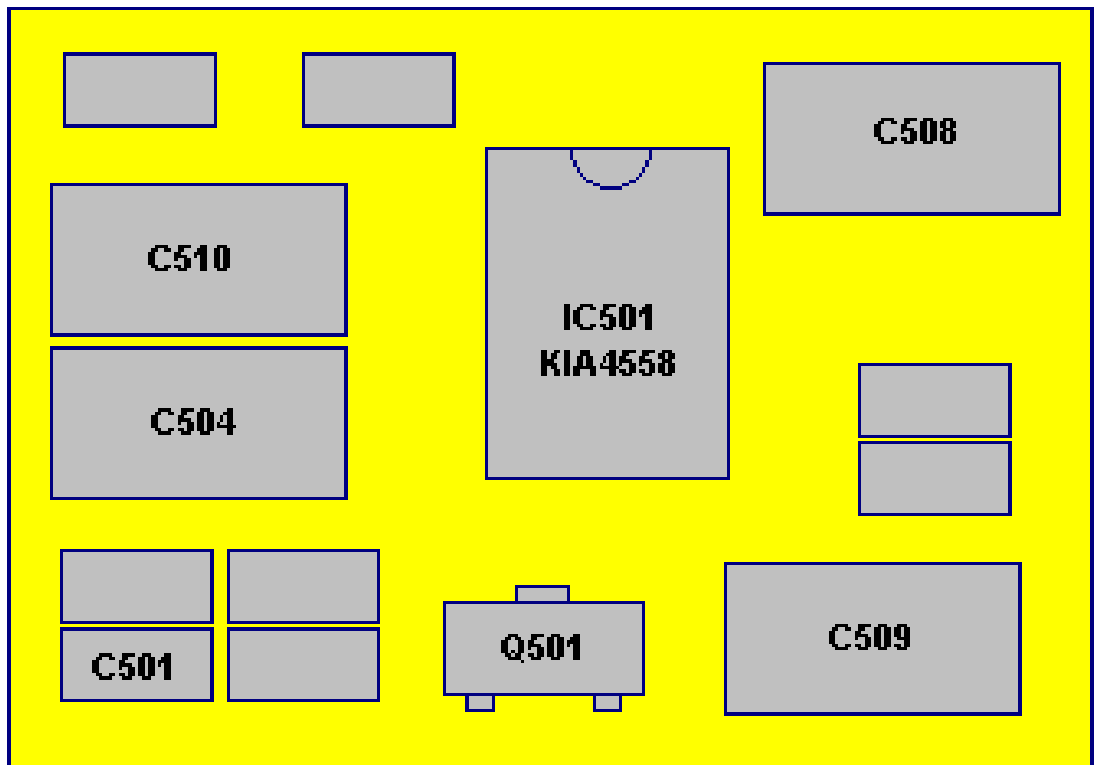


Key-Board





4 3 2 7



5 6 1

