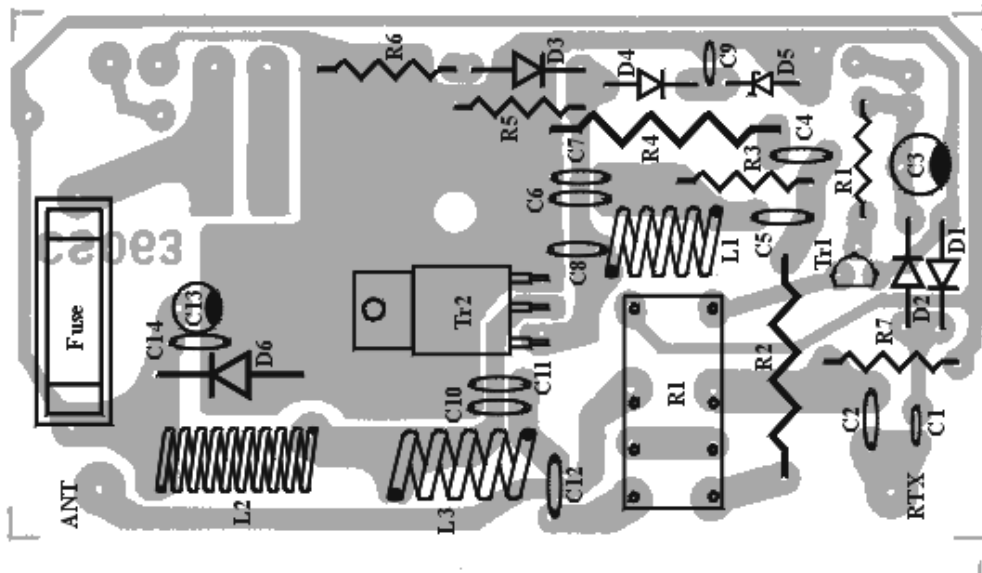
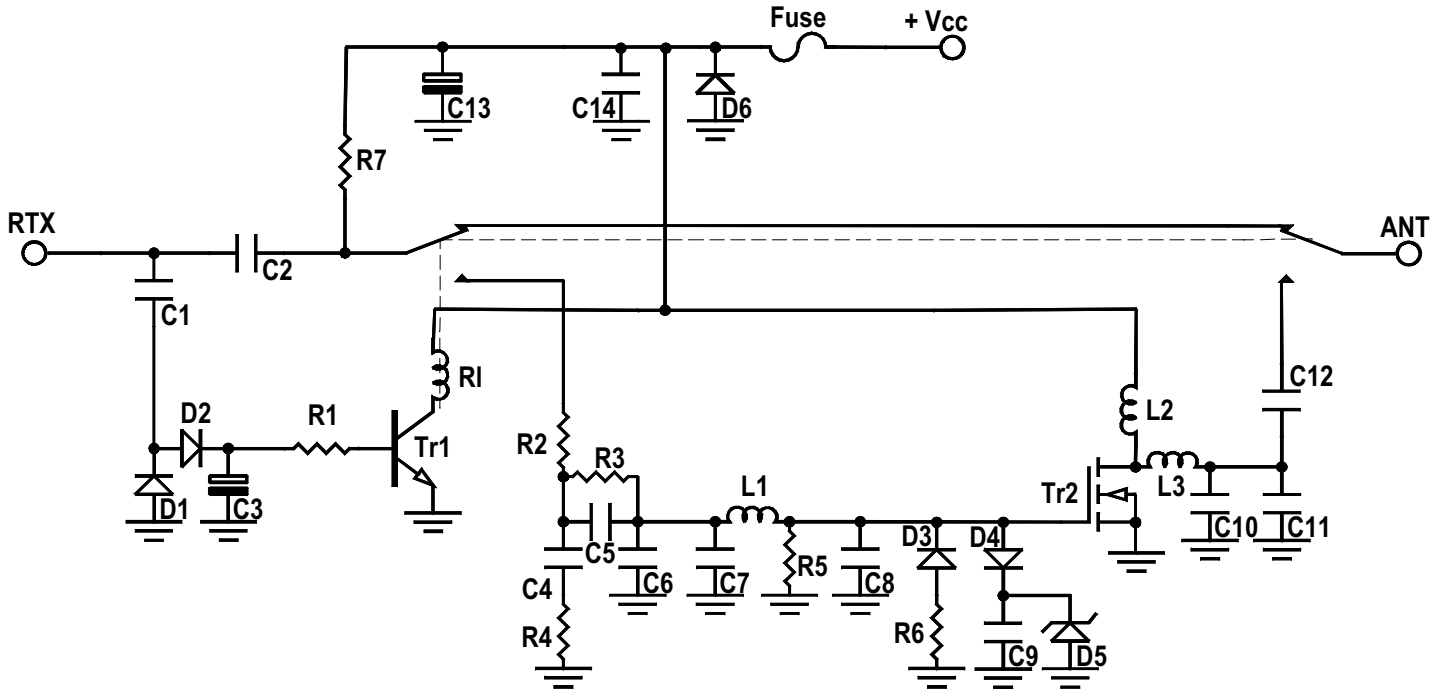


# Mod. RT 35 linear amplifier

Schematic diagram

Version 3.00



**List of components**

C <sub>1</sub>	= 8,2 pF	50 V	N750
C <sub>2</sub>	= 10 nF	50 V	
C <sub>3</sub>	= 4,7 μF	16 V	
C <sub>4</sub>	= 10 nF	50 V	
C <sub>5</sub>	= 470 pF	50 V	N750
C <sub>6</sub>	= 220 pF	50 V	N750
C <sub>7</sub>	= 120 pF	50 V	N750
C <sub>8</sub>	= 270 pF	50 V	N750
C <sub>9</sub>	= 10 nF	50 V	
C <sub>10</sub>	= 150 pF	50 V	N750
C <sub>11</sub>	= 150 pF	50 V	N750
C <sub>12</sub>	= 100 pF	50 V	N750
C <sub>13</sub>	= 10 μF	16 V	
C <sub>14</sub>	= 100 nF	50 V	
R <sub>1</sub>	= 2,2 kΩ	¼W	
R <sub>2</sub>	= 39 Ω	2W	
R <sub>3</sub>	= 12 kΩ	¼W	
R <sub>4</sub>	= 100 Ω	2W	
R <sub>5</sub>	= 4,7 kΩ	¼W	
R <sub>6</sub>	= 1,5 kΩ	½W	
R <sub>7</sub>	= 12 kΩ	¼W	
D <sub>1</sub> = D <sub>2</sub> = D <sub>3</sub> = D <sub>4</sub>	= 1N4148		
D <sub>5</sub>	= Zener	20 V	1W
D <sub>6</sub>	= 1N4004		
TR <sub>1</sub>	= BC 547		
TR <sub>2</sub>	= MOS RM3		
L <sub>1</sub>	= 7 turns φ 5 mm wire φ 0,8 mm		
L <sub>2</sub>	= 12 turns φ 5 mm wire φ 0,8 mm		
L <sub>3</sub>	= 6 turns φ 5 mm wire φ 0,8 mm		
RI	= Relè 12 V 3022		
Fuse	= 5 A		